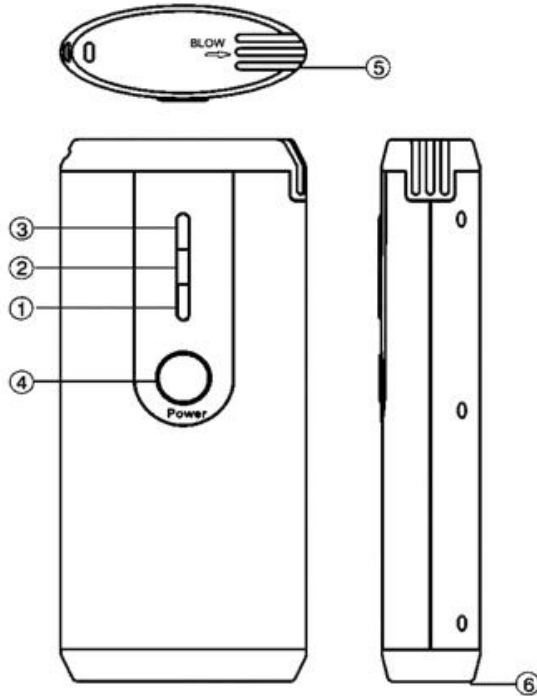


MC-6883 Stylish LED Alcohol Tester

PERSONAL BREATHALYZER WITH LED RESULTS P/N 6016883001



1. Green LED
2. Yellow LED
3. Red LED
4. Power Button
5. Breath Inhaler
6. Battery Compartment

Features

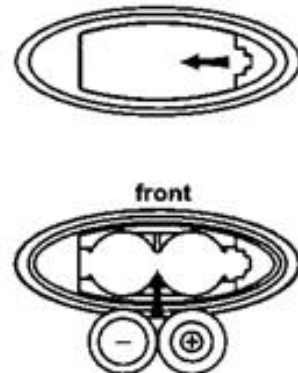
1. 3-step alcohol test step with LED indication.
2. Quick response and resume.
3. CPU control.
4. Auto power off.
5. Uses 2 “AAA” alkaline batteries.

Battery Installing

1. Open the battery compartment lid on the bottom of the unit.
2. Insert two “AAA” (or UM-4) size alkaline batteries with correct polarity as indicated.
3. Replace the battery compartment lid.

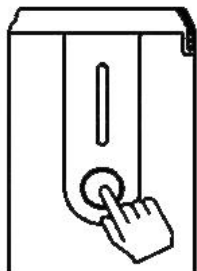
Replace Battery

When the yellow LED lights up for 5 seconds, the buzzer beeps 5 times and then the unit shuts off automatically it is time to replace the two “AAA” batteries. (Use alkaline batteries only).



How To Use The Alcohol Tester

Warm up



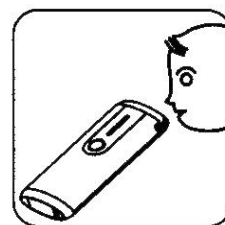
1. Press and hold the “Power” button for 2 seconds. The buzzer in the unit will make a “beep” sound and the green LED light will flash to indicate that the unit is warming up.
2. The unit will take approximately 10 seconds to warm-up.

Note:

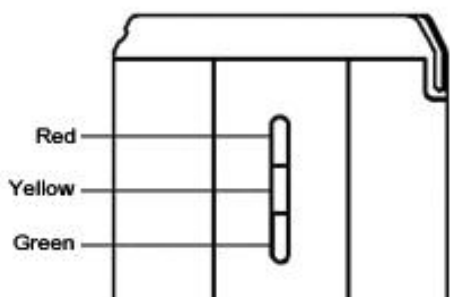
- When the unit is first removed from the packaging or if the alcohol tester hasn't been used for quite some time it may have gas or other impurities on the alcohol sensor which will result in it taking longer to warm-up. If this is the case, try pressing the power button several times to clean the sensor.

Testing alcohol concentration

1. After the tester beeps once and the green LED light remains lit up the unit is in testing mode.
2. Wait 3-5 seconds, and then place the unit near your mouth and blow into the breath tester for 4-6 seconds.
3. A few moments later the unit will beep twice. Look at the front of the unit for the test result.



A. If only the green LED is lit – Safety – the alcohol concentration is under 0.02% BAC (0.1mg/1 BRAC)



B. If only the yellow LED is lit – Caution – the alcohol concentration is 0.02% to 0.05% BAC (0.1mg/1 to 0.25/1 BRAC)

C. If only the LED is lit and the alarms sound – Danger – the alcohol concentration is over 0.05% BAC (0.25mg/1 BRAC)

4. The test result will be displayed for approximately 15 seconds and then the unit will turn off automatically.
5. To obtain more accurate results you can repeat the test 2 or 3 times.

Error Indication

When the red LED lights up for 5 seconds, the buzzer beeps 5 times and then the unit shuts off automatically the tester or sensor has a fault. Please try restarting the tester.

Fixing The Hand Strap

1. Insert the smaller loop into the hole in the housing.
2. Feed the longer loop through the eyelet and pull.



Specifications

- * Sensor: advanced semiconductor oxide alcohol sensor
- * Range: 0.00%-0.10 BAC (0.00 - 0.50mg/1BRAC)
- * Test accuracy: 0.01 BAC (0.05 mg/1BRAC)
- * Power input: 2 x 1.5V “AAA” alkaline batteries
- * Operating time: warm-up: <15 seconds, response <5 seconds
- * Dimensions: 102 x 44 x 17.5 mm
- * Weight: 30g
- * Environmental temperature: 10C - 40C
- * Environmental humidity: 40% - 90%

Precautions

- For most accurate results it is recommended that you wait 20 minutes after your last drink to take the test. This is because it takes approximately 20 minutes for the alcohol to be absorbed into the blood from the digestive organs and for the residual alcohol remaining in the mouth to dissipate.
- For accurate results, do not repeat the next test within 3 minutes after the previous test.
- Do not smoke or eat for 20 minutes prior to testing.
- Do not use chemicals to clean the tester.
- Do not blow liquid into the tester.
- Do not place the tester in a closed environment with contaminated air.
- Modifying or tampering with the unit’s internal components may cause a malfunction.
- The unit is designed as an aid to promote safe driving. It should not be used in anticipation of the use or operation of vehicles, machinery, or equipment. The BAC results of the tester are for reference only, and the manufacturer assumes no legal responsibility for the results thereof.
- Each individual’s body responds differently to alcohol. A person may become too impaired to drive at a point below the legal blood alcohol limit.